

DESIGN BY QUIVER DESIGN WORKS
PRODUCED BY LICHEN PRECISION

TITLE:

OGQ DROPOUTS

MATERIAL 7005 AL	UNLESS OTHERWISE SPECIFIED: DIMENSIONS ARE IN INCHES X.X 0.020" X.XX 0.010" X.XXX 0.005"
FINISH	
DO NOT SCALE DRAWING	

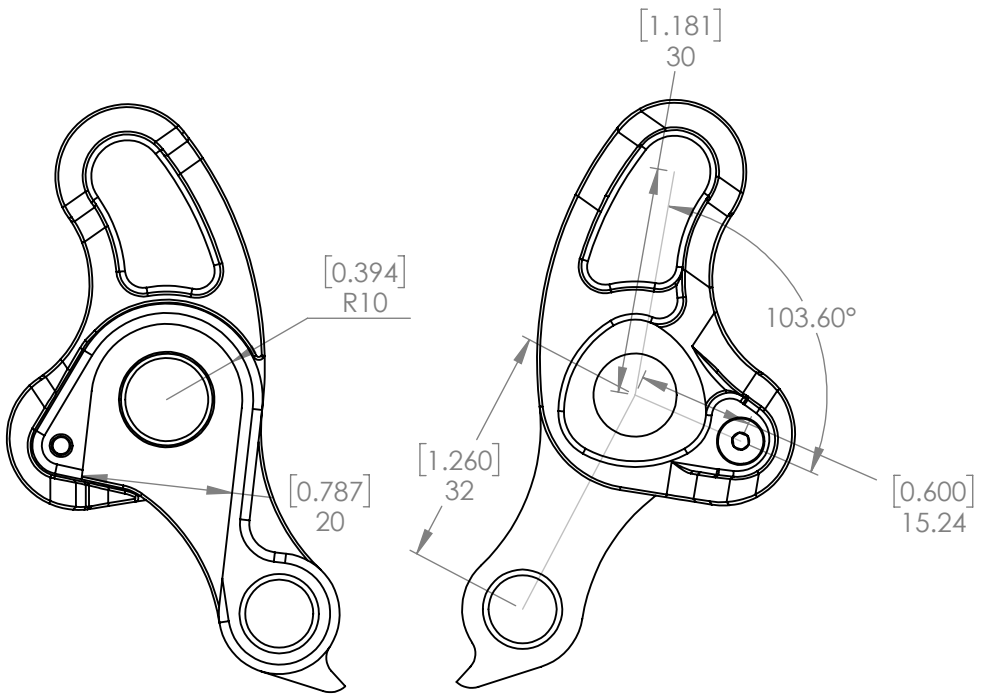
SIZE A	DWG. NO.	REV
SCALE: 1:1	WEIGHT:	SHEET 4 OF 6

2

1

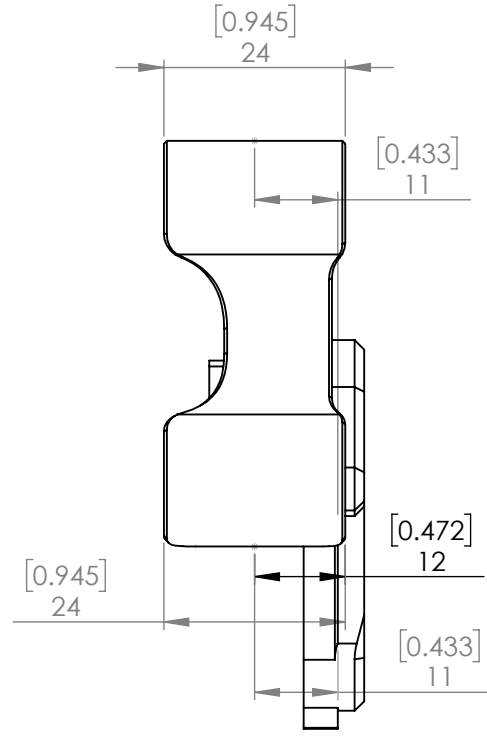
B

B

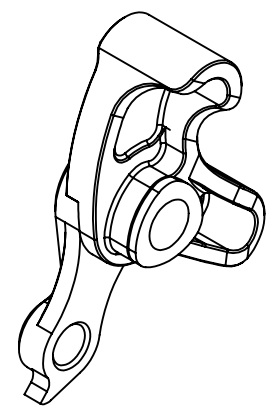


INNER VIEW

OUTER VIEW



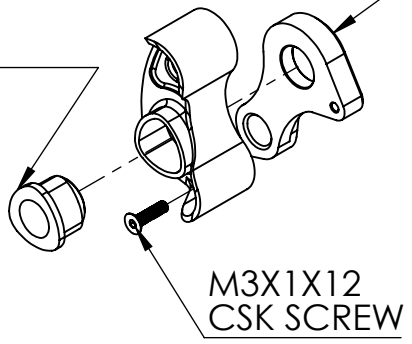
FRONT VIEW



ISO VIEW

OGQ AXLE NUT V2
 (WITH CENTER FEATURE)
 12X1
 12X1.5 (OPTION)

OGQ DER HANGER



M3X1X12
 CSK SCREW

A

A

DESIGN BY QUIVER DESIGN WORKS
 PRODUCED BY LICHEN PRECISION

TITLE:

OGQ DROPOUTS

MATERIAL 7005 AL	UNLESS OTHERWISE SPECIFIED: DIMENSIONS ARE IN INCHES X.X 0.020" X.XX 0.010" X.XXX 0.005"
FINISH	
DO NOT SCALE DRAWING	

SIZE A	DWG. NO.	REV
SCALE: 1:1	WEIGHT:	SHEET 5 OF 6

2

1