

DESIGN BY QUIVER DESIGN WORKS
PRODUCED BY LICHEN PRECISION

TITLE:
OGQ DROPOUTS

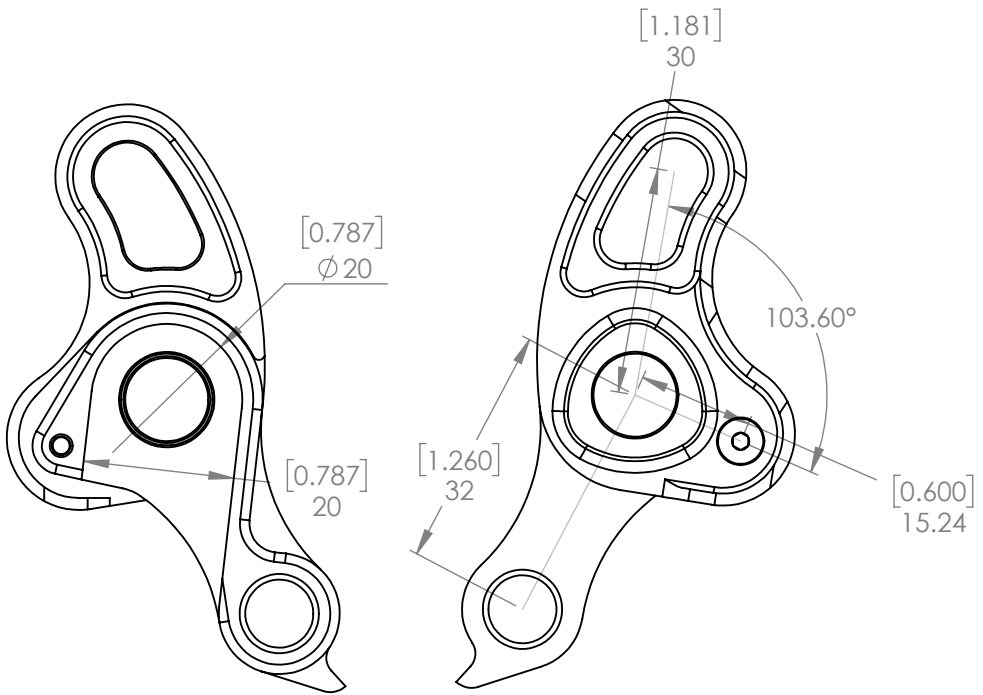
MATERIAL 1018 COLD ROLL	UNLESS OTHERWISE SPECIFIED:	SIZE A	DWG. NO.	REV
FINISH	DIMENSIONS ARE IN INCHES X.X 0.020" X.XX 0.010" X.XXX 0.005"	SCALE: 1:1	WEIGHT:	SHEET 1 OF 2
DO NOT SCALE DRAWING				

2

1

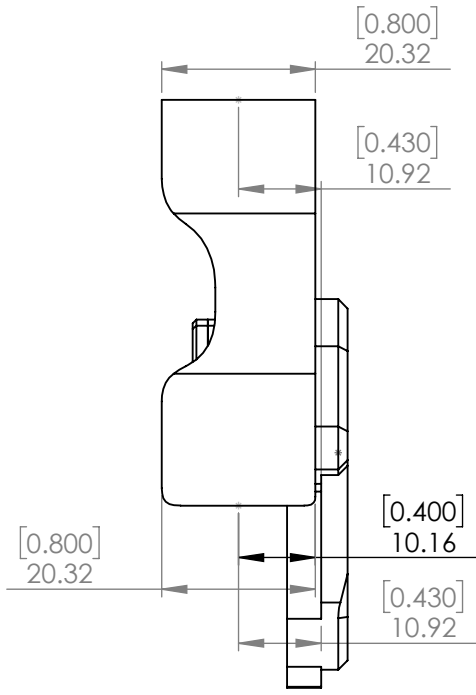
B

B

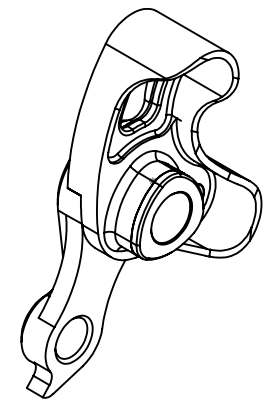


INNER VIEW

OUTER VIEW



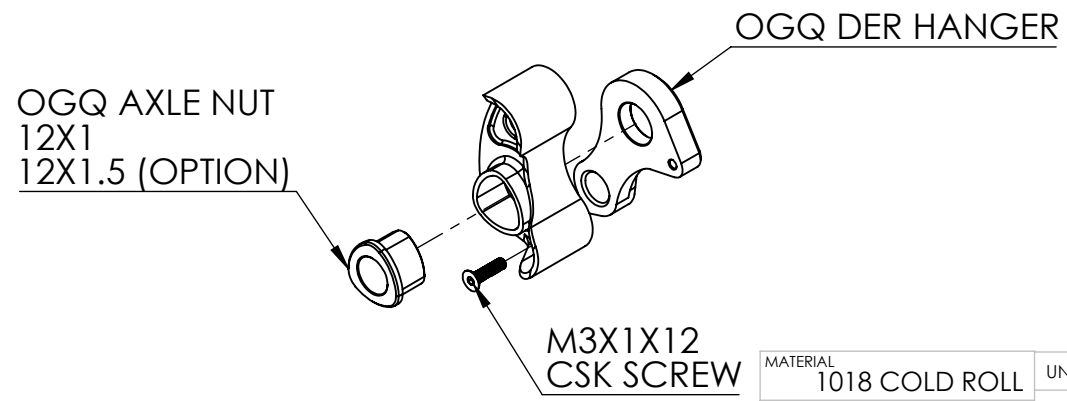
FRONT VIEW



ISO VIEW

A

A



OGQ AXLE NUT
12X1
12X1.5 (OPTION)

OGQ DER HANGER

M3X1X12
CSK SCREW

DESIGN BY QUIVER DESIGN WORKS
PRODUCED BY LICHEN PRECISION

TITLE:

OGQ DROPOUTS

MATERIAL 1018 COLD ROLL	UNLESS OTHERWISE SPECIFIED:		SIZE A	DWG. NO.	REV
FINISH	DIMENSIONS ARE IN INCHES X.X 0.020" X.XX 0.010" X.XXX 0.005"		SCALE: 1:1	WEIGHT:	SHEET 2 OF 2
DO NOT SCALE DRAWING					

2

1