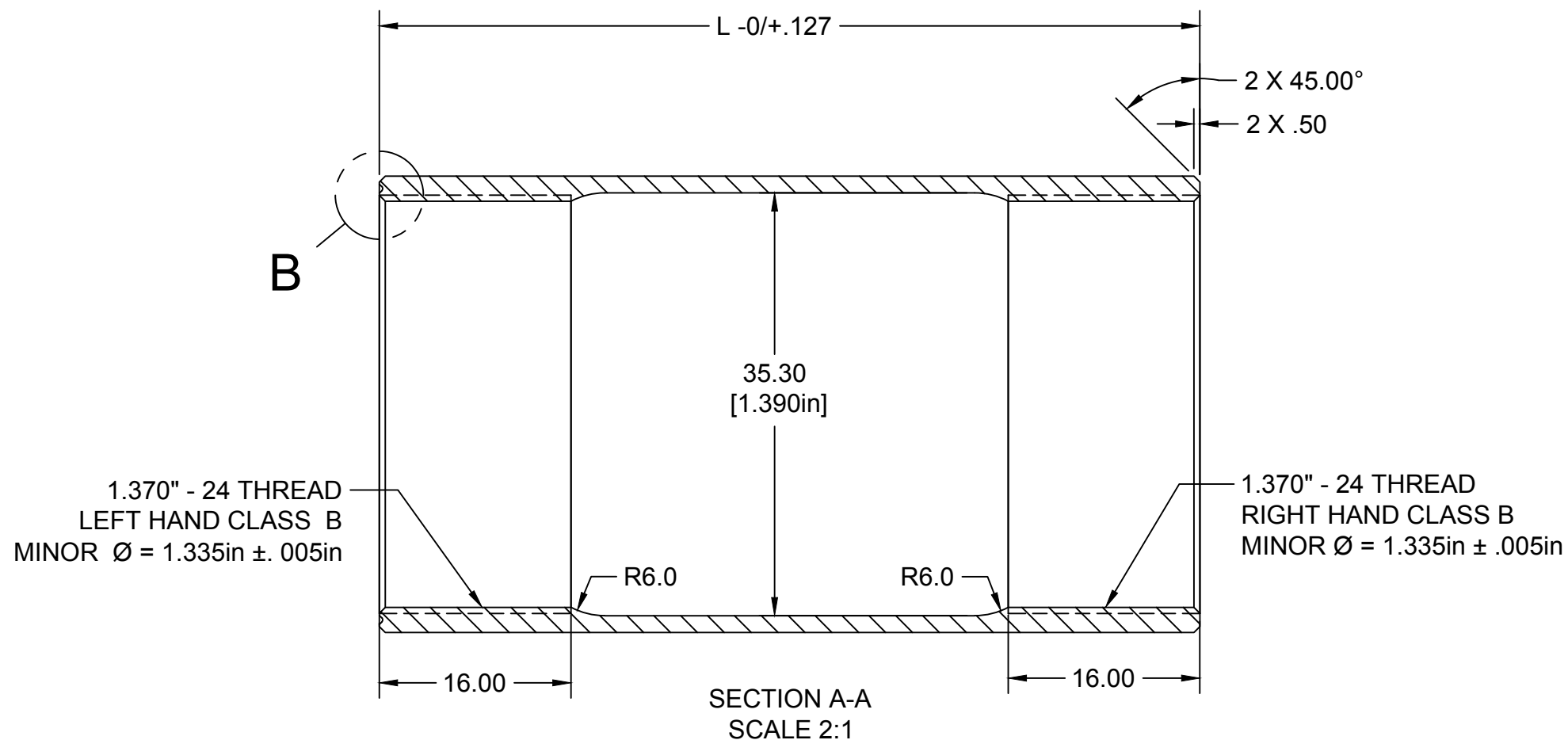
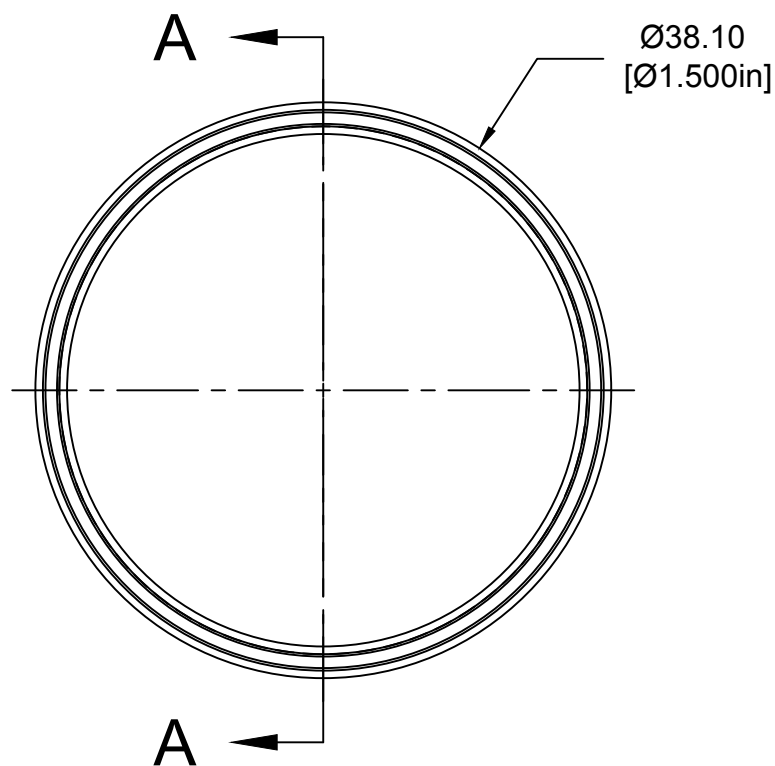
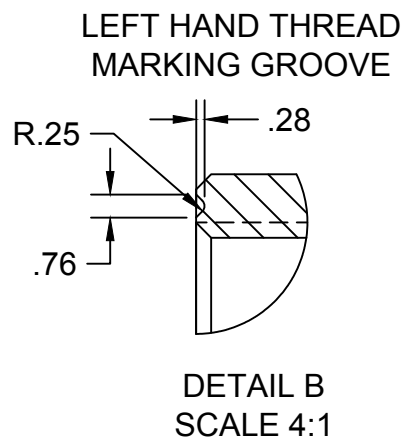


PART #	DIM "L" [mm]
TBE-BB-BSA-68-4130	68.50
TBE-BB-BSA-73-4130	73.50
TBE-BB-BSA-100-4130	100.50



NOTES: UNLESS OTHERWISE SPECIFIED

1. MATERIAL: 4130 STEEL SEAMLESS NORMALIZED

2. DIMENSIONING & TOLERANCES:

.X = ± .25mm [.010in]
.XX = ± .127mm [.005in]
ANGLES = ± 2°.



PROJECT

BikeFabSupply.com

TITLE

THREADED BB SHELLS
BSA - STEEL 4130

APPROVED A.C.	4/18/2020	SIZE	CODE	DWG NO	REV
CHECKED B.D.R.	4/18/2020	B		TBE-BB-BSA-XX-4130	A
DRAWN B.D.R.	4/17/2020	SCALE 1:1	WEIGHT	SHEET 1/1	