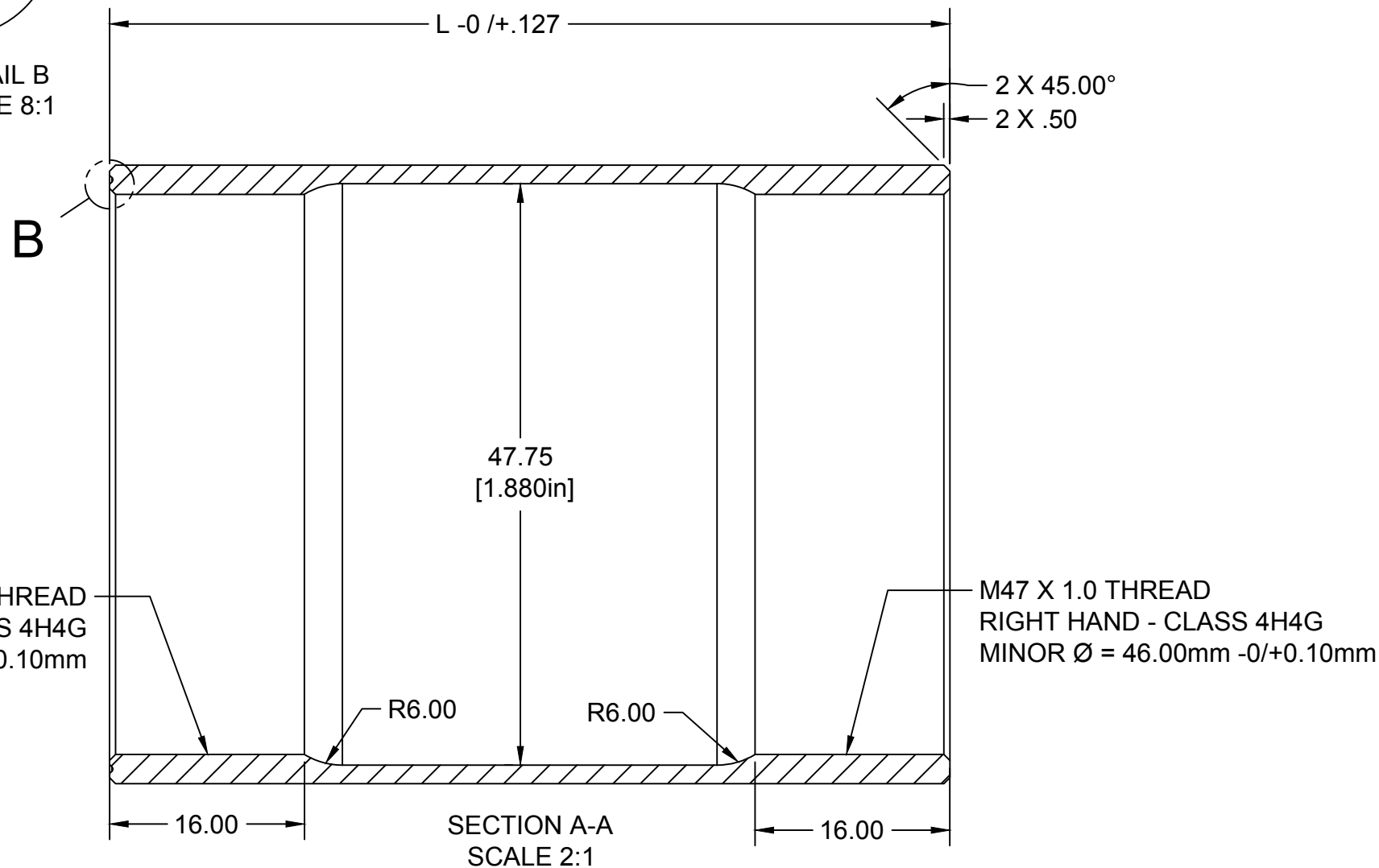
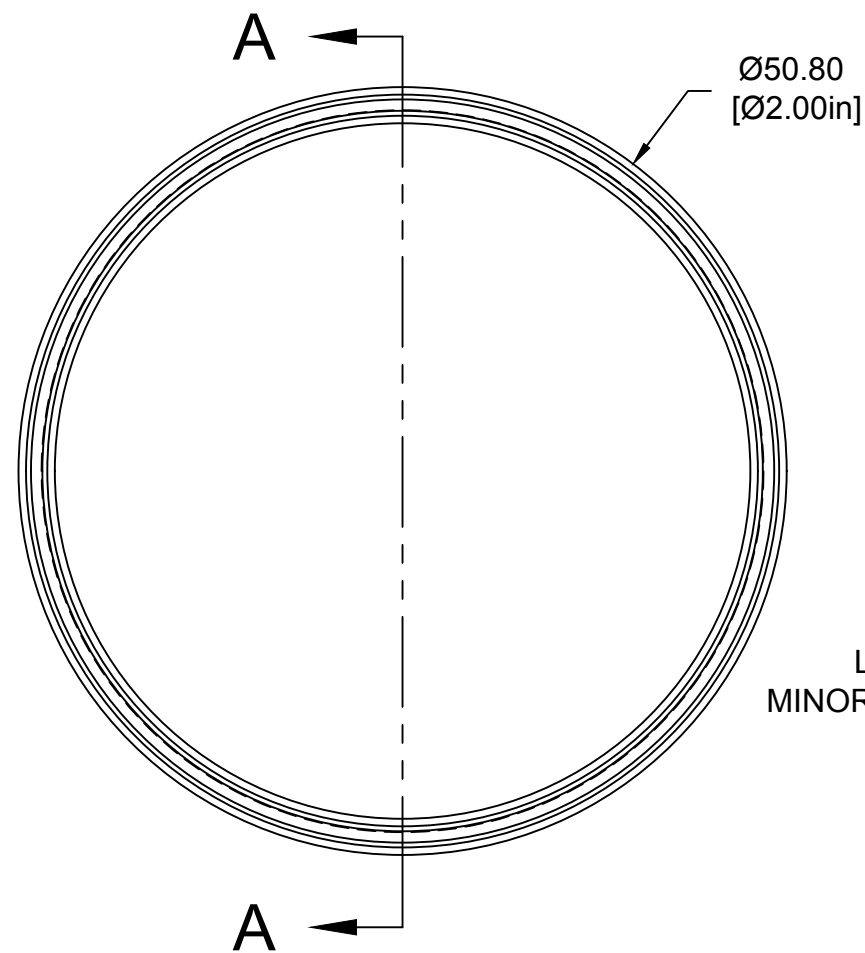
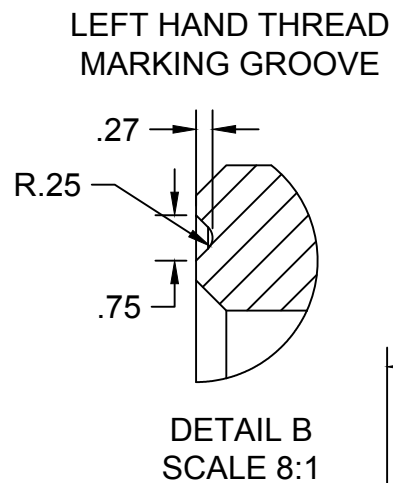


PART #	DIM "L" [mm]
TBE-BB-T47-68-4130	69.00
TBE-BB-T47-73-4130	74.00
TBE-BB-T47-86.5-4130	87.50
TBE-BB-T47-91.5-4130	92.50



NOTES: UNLESS OTHERWISE SPECIFIED

1. MATERIAL: 4130 STEEL SEAMLESS NORMALIZED

2. DIMENSIONING & TOLERANCES:

.X = ± .25mm [.010in]

.XX = ± .127mm [.005in]

ANGLES = ± 2°.



PROJECT

BikeFabSupply.com

TITLE

THREADED BB SHELLS
T47 - STEEL 4130

APPROVED A.C.	4/18/2020	SIZE	CODE	DWG NO	REV
CHECKED B.D.R.	4/18/2020	B		TBE-BB-T47-XX-4130	A
DRAWN B.D.R.	4/18/2020	SCALE 1:2	WEIGHT	SHEET 1/1	