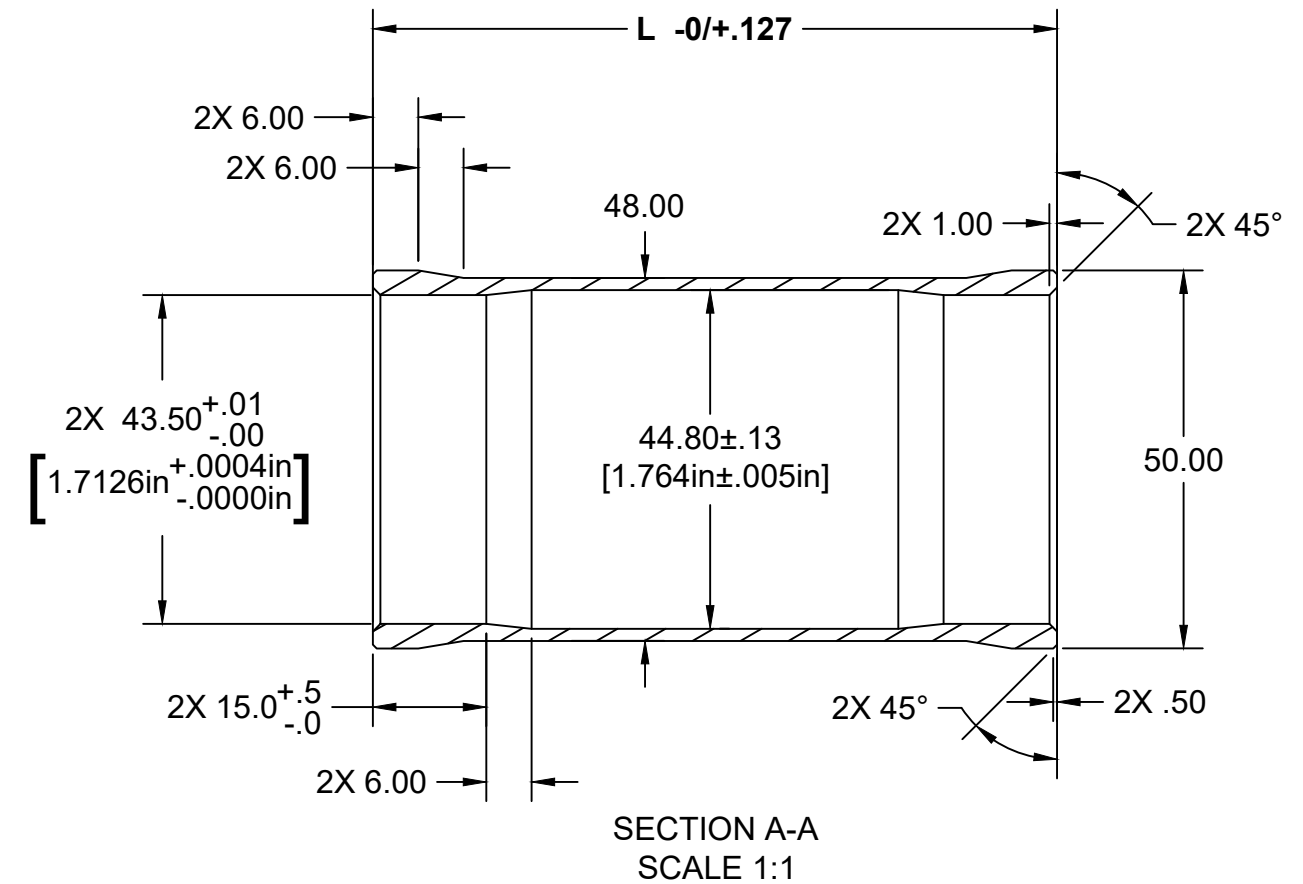
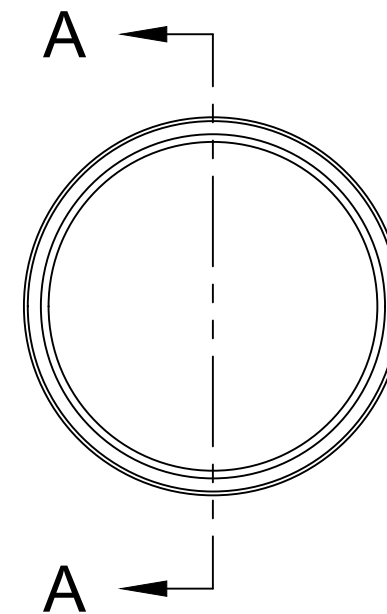


PART #	DIM "L" [mm]
TBE-HT-50-44-90	90.50
TBE-HT-50-44-100	100.50
TBE-HT-50-44-110	110.50
TBE-HT-50-44-115	115.50
TBE-HT-50-44-120	120.50
TBE-HT-50-44-125	125.50
TBE-HT-50-44-130	130.50
TBE-HT-50-44-140	140.50
TBE-HT-50-44-150	150.50
TBE-HT-50-44-155	155.50
TBE-HT-50-44-160	160.50
TBE-HT-50-44-170	170.50
TBE-HT-50-44-180	180.50
TBE-HT-50-44-200	200.50



NOTES: UNLESS OTHERWISE SPECIFIED

1. MATERIAL: 4130 STEEL SEAMLESS NORMALIZED

2. DIMENSIONING & TOLERANCES:

.X = $\pm .25\text{mm}$ [.010in]
 .XX = $\pm .127\text{mm}$ [.005in]
 ANGLES = $\pm 2^\circ$.

		PROJECT			
		BikeFabSupply.com			
		TITLE			
		HEAD TUBE STEEL - 4130			
APPROVED A.C.	4/22/2020	SIZE	CODE	DWG NO	REV
CHECKED B.D.R.	4/20/2020	B		TBE-HT-50-44-XX	
DRAWN B.D.R.	4/20/2020	SCALE 1:2		WEIGHT	SHEET 1/2